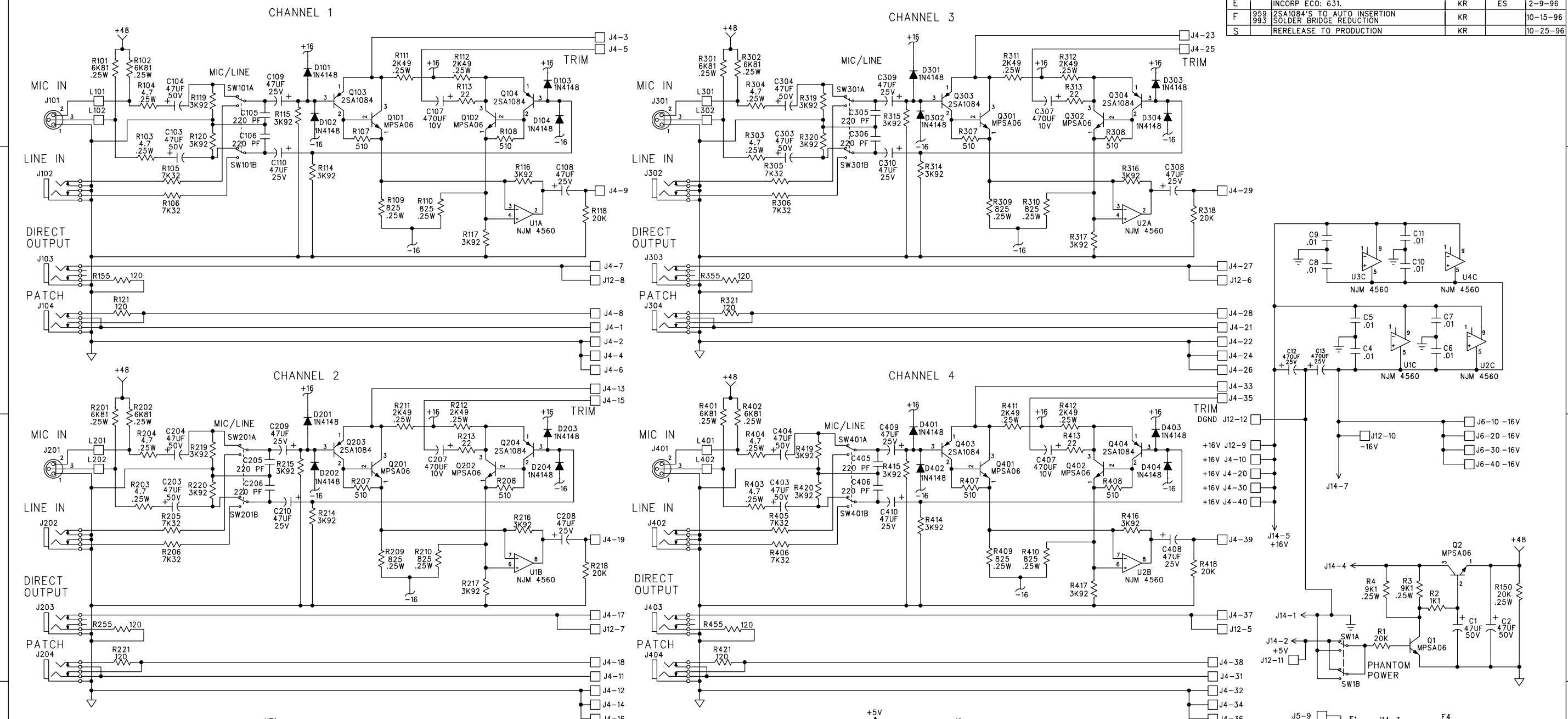


REV:	ECO#	DESCRIPTION	REV. BY:	APP. BY:	DATE
C		PHASE 1 AND ADDED GND TO LINE JACKS INCORP ECO 145,158,180	TRH	JGG	4-12-94
D		INCORP ECO'S: 215,307,314,367,370, 431,469,567,623,657,769.	KR		10-13-95
E		INCORP ECO: 631.	KR	ES	2-9-96
F	959 993	2SA1084'S TO AUTO INSERTION SOLDER BRIDGE REDUCTION	KR		10-15-96
S		RERELEASE TO PRODUCTION	KR		10-25-96

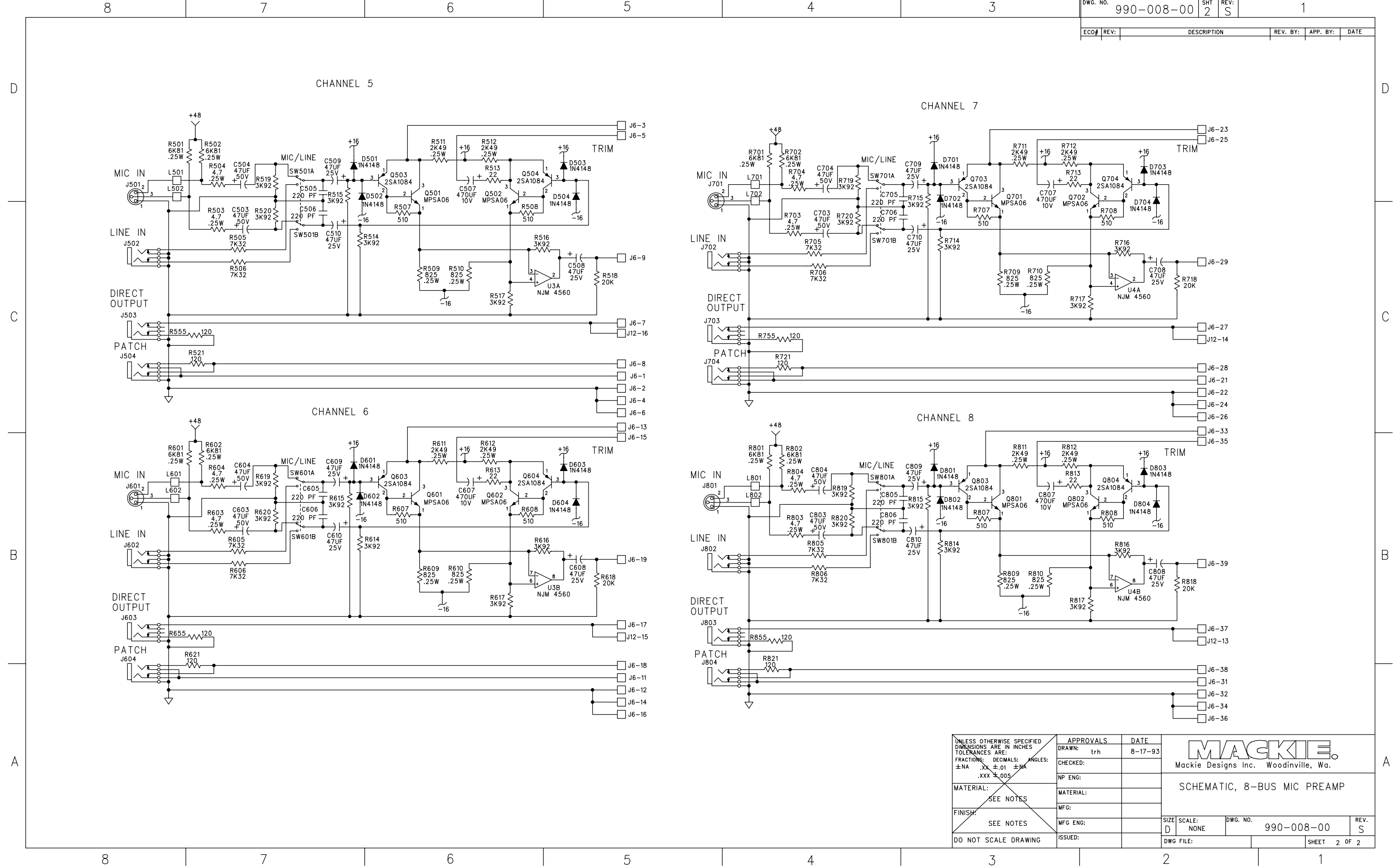


- 760-003-00 BUTTON SW 9X5 MM
- 760-003-00 BUTTON SW 9X5 MM
- 760-003-00 BUTTON SW 9X5 MM
- 760-003-00 BUTTON SW 9X5 MM
- 760-003-00 BUTTON SW 9X5 MM
- 760-003-00 BUTTON SW 9X5 MM
- 760-003-00 BUTTON SW 9X5 MM
- 760-003-00 BUTTON SW 9X5 MM
- 760-003-00 BUTTON SW 9X5 MM
- 760-003-00 BUTTON SW 9X5 MM
- 760-003-00 BUTTON SW 9X5 MM
- 760-015-00 EXTENDER, SWITCH BUTTON
- 760-015-00 EXTENDER, SWITCH BUTTON
- 760-015-00 EXTENDER, SWITCH BUTTON
- 760-015-00 EXTENDER, SWITCH BUTTON
- 760-015-00 EXTENDER, SWITCH BUTTON
- 760-015-00 EXTENDER, SWITCH BUTTON
- 760-015-00 EXTENDER, SWITCH BUTTON
- 760-015-00 EXTENDER, SWITCH BUTTON
- 760-015-00 EXTENDER, SWITCH BUTTON
- 760-015-00 EXTENDER, SWITCH BUTTON
- 610-007-00 WIRE 22GA TR64

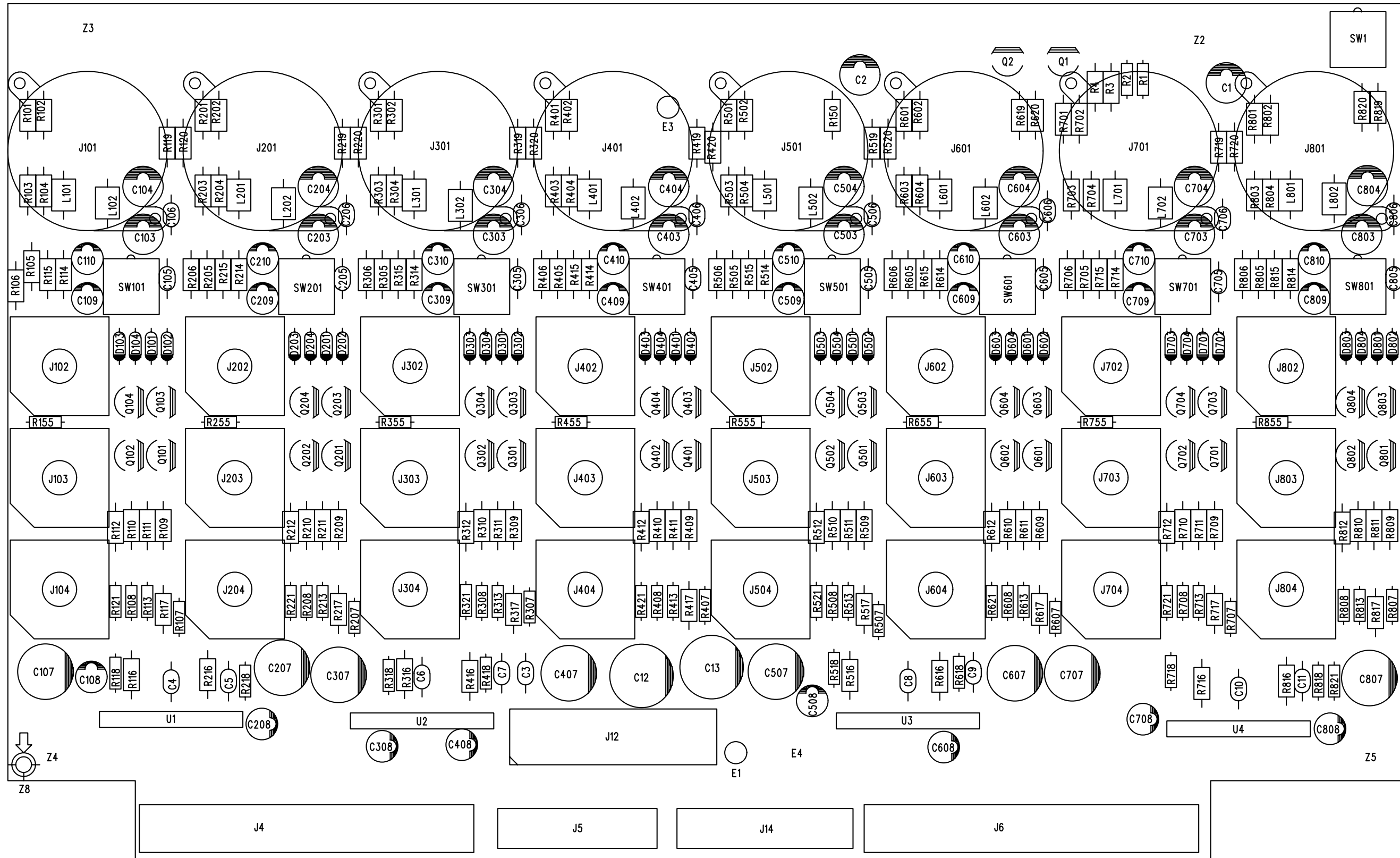
- J5-1
- J5-3
- J5-5
- J5-7
- J5-13
- J5-15
- J5-17
- J5-19
- J5-2
- J5-4
- J5-6
- J5-8
- J5-14
- J5-16
- J5-18
- J5-20
- J12-1 (CHANNEL 1) TAPE RTN IN 1
- J12-2 (CHANNEL 2) TAPE RTN IN 2
- J12-3 (CHANNEL 3) TAPE RTN IN 3
- J12-4 (CHANNEL 4) TAPE RTN IN 4
- J12-17 (CHANNEL 5) TAPE RTN IN 5
- J12-18 (CHANNEL 6) TAPE RTN IN 6
- J12-19 (CHANNEL 7) TAPE RTN IN 7
- J12-20 (CHANNEL 8) TAPE RTN IN 8

APPROVALS	DATE
trh	8-17-93
CHECKED:	
NP ENG:	
MATERIAL:	
MFG:	
MFG ENG:	
ISSUED:	

<b>MACKIE.</b> Mackie Designs Inc. Woodville, Wa.	
SCHEMATIC, 8-BUS MIC PREAMP	
SIZE: D	SCALE: NONE
DWG. NO. 990-008-00	REV. S
DWG FILE:	SHEET 1 OF 2



UNLESS OTHERWISE SPECIFIED DIMENSIONS ARE IN INCHES TOLERANCES ARE: FRACTIONS: DECIMALS: ANGLES: ±NA .XX ±.01 ±NA .XXX ±.005	APPROVALS	DATE	 Mackie Designs Inc. Woodinville, Wa.
	DRAWN: trh	8-17-93	
	CHECKED:		
	NP ENG:		
MATERIAL:	MATERIAL:	SCHEMATIC, 8-BUS MIC PREAMP	
SEE NOTES	MFG:		
FINISH:	MFG ENG:		
DO NOT SCALE DRAWING	ISSUED:	SIZE: D	SCALE: NONE
		DWG. NO. 990-008-00	REV. S
		DWG FILE:	SHEET 2 OF 2



J4

CHANNEL 1 INS RTN	1	2	CHANNEL 1 GND
CHANNEL 1 TRIM	3	4	CHANNEL 1 GND
CHANNEL 1 TRIM	5	6	CHANNEL 1 GND
CHANNEL 1 DI OUT	7	8	CHANNEL 1 INS SEND
CHANNEL 1 PRE OUT	9	10	+16V
CHANNEL 2 INS RTN	11	12	CHANNEL 2 GND
CHANNEL 2 TRIM	13	14	CHANNEL 2 GND
CHANNEL 2 TRIM	15	16	CHANNEL 2 GND
CHANNEL 2 DI OUT	17	18	CHANNEL 2 INS SEND
CHANNEL 2 PRE OUT	19	20	+16V
CHANNEL 3 INS RTN	21	22	CHANNEL 3 GND
CHANNEL 3 TRIM	23	24	CHANNEL 3 GND
CHANNEL 3 TRIM	25	26	CHANNEL 3 GND
CHANNEL 3 DI OUT	27	28	CHANNEL 3 INS SEND
CHANNEL 3 PRE OUT	29	30	+16V
CHANNEL 4 INS RTN	31	32	CHANNEL 4 GND
CHANNEL 4 TRIM	33	34	CHANNEL 4 GND
CHANNEL 4 TRIM	35	36	CHANNEL 4 GND
CHANNEL 4 DI OUT	37	38	CHANNEL 4 INS SEND
CHANNEL 4 PRE OUT	39	40	+16V

J5

N/C	1	2	TAPE RTN 1
N/C	3	4	TAPE RTN 2
N/C	5	6	TAPE RTN 3
N/C	7	8	TAPE RTN 4
DGND	9	10	+5V
-16V	11	12	+16V
N/C	13	14	TAPE RTN 5
N/C	15	16	TAPE RTN 6
N/C	17	18	TAPE RTN 7
N/C	19	20	TAPE RTN 8

J12

TAPE 1	1	2	TAPE 2
TAPE 3	3	4	TAPE 4
CHANNEL 4	5	6	CHANNEL 3
CHANNEL 2	7	8	CHANNEL 1
+16V	9	10	-16V
+5V	11	12	DGND
CHANNEL 8	13	14	CHANNEL 7
CHANNEL 6	15	16	CHANNEL 5
TAPE 6	17	18	TAPE 6
TAPE 7	19	20	TAPE 8

J14

-18V	7
AGND	6
+18V	5
+48V	4
+12V	3
+5V	2
DGND	1

J6

CHANNEL 5 INS RTN	1	2	CHANNEL 5 GND
CHANNEL 5 TRIM	3	4	CHANNEL 5 GND
CHANNEL 5 TRIM	5	6	CHANNEL 5 GND
CHANNEL 5 DI OUT	7	8	CHANNEL 5 INS SEND
CHANNEL 5 PRE OUT	9	10	-16V
CHANNEL 6 INS RTN	11	12	CHANNEL 6 GND
CHANNEL 6 TRIM	13	14	CHANNEL 6 GND
CHANNEL 6 TRIM	15	16	CHANNEL 6 GND
CHANNEL 6 DI OUT	17	18	CHANNEL 6 INS SEND
CHANNEL 6 PRE OUT	19	20	-16V
CHANNEL 7 INS RTN	21	22	CHANNEL 7 GND
CHANNEL 7 TRIM	23	24	CHANNEL 7 GND
CHANNEL 7 TRIM	25	26	CHANNEL 7 GND
CHANNEL 7 DI OUT	27	28	CHANNEL 7 INS SEND
CHANNEL 7 PRE OUT	29	30	-16V
CHANNEL 8 INS RTN	31	32	CHANNEL 8 GND
CHANNEL 8 TRIM	33	34	CHANNEL 8 GND
CHANNEL 8 TRIM	35	36	CHANNEL 8 GND
CHANNEL 8 DI OUT	37	38	CHANNEL 8 INS SEND
CHANNEL 8 PRE OUT	39	40	-16V